

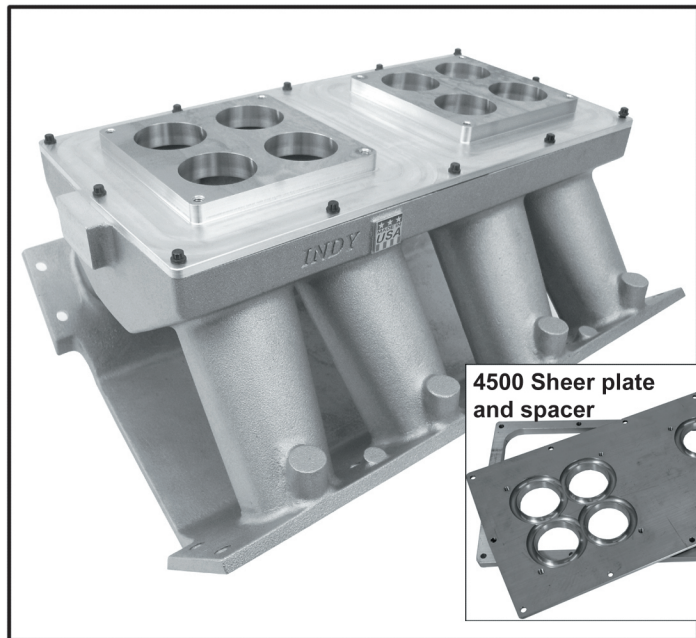


PREDATOR

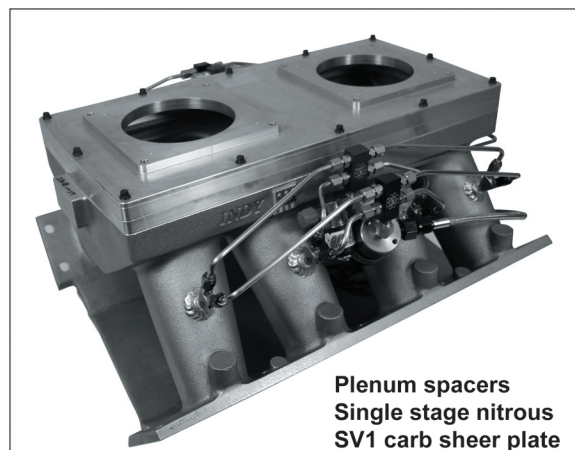
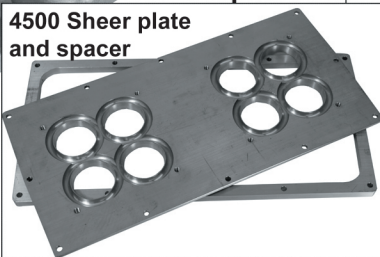
PREDATOR

INDY

CYLINDER HEAD



4500 Sheer plate and spacer

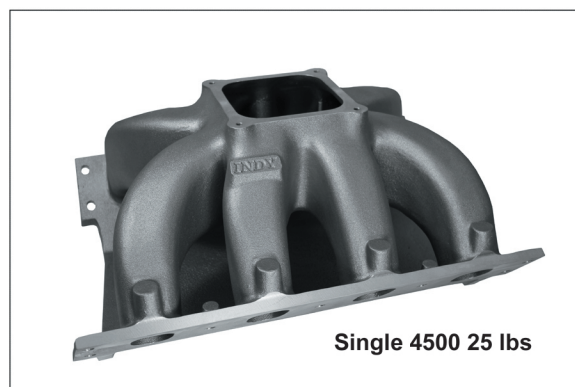


Plenum spacers
Single stage nitrous
SV1 carb sheer plate



Tunnel base 27 lbs

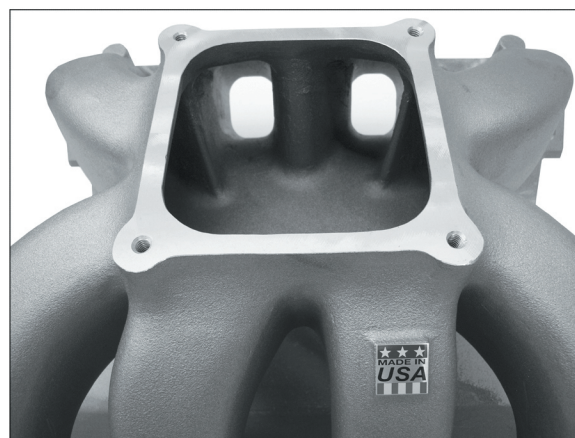
Indy Cylinder Head completed the Predator project by designing lightweight cast aluminum manifolds and valve covers that are not only superior in performance, but affordable and user friendly for the engine builder. Indy Cylinder Head's in house pattern shop has developed a revolutionary lightweight casting process to produce cast aluminum versions of our previously designed fabricated sheet metal tunnel ram intake, large volume single 4500 intake, and superior sealing valve covers for the predator engine. Each manifold has cast in fuel injection bungs and fuel rail mounts. All fuel injection components can be installed by ICH or purchased separately from Indy Cylinder Head. The Predator combination is unchallenged in the world of performance as a cylinder head and air/fuel induction system.



Single 4500 25 lbs



Valve covers
6 lbs each



Hemi is a trademark of the Chrysler corporation and is used for identification purposes only

Call: 317-862-3724 Fax: 317-862-6300 Web: indyheads.com Email: techline@indyheads.com

Hemi is a trademark of the Chrysler Corporation and is used for identification purposes only

Not legal for use or sale on pollution controlled vehicles